

Odour Neutraliser

Health & Safety
Please refer to relevant MSDS



Don't forget

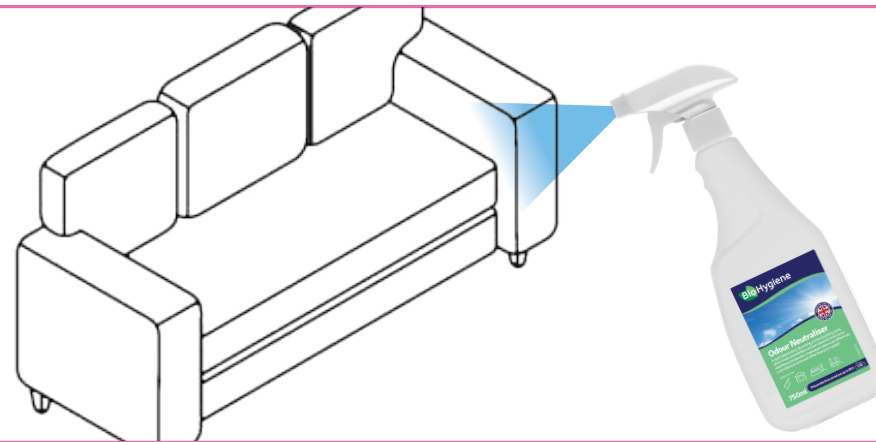
PPE



1

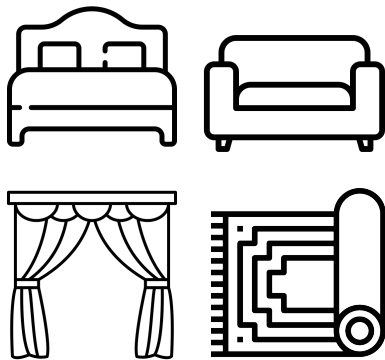


2

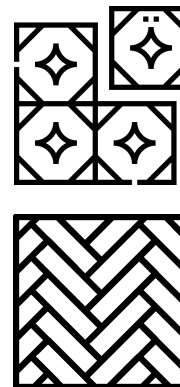


Contains
special invisible
biofilms that
offer residual
and long-term
odour
neutralising
effect

Spray over soft furnishings as a mist to deliver a pleasant perfume and a long-lasting odour neutralising effect.



Spray only over soft fabrics such as carpets, curtains, bedspreads and sofas.



Don't spray over hard floors as residue may cause a slip hazard. In case of residue on hard floor, rinse floor with clean water and dry.