

Odour Stopper & Stain Spotter

Health & Safety
Please refer to relevant MSDS



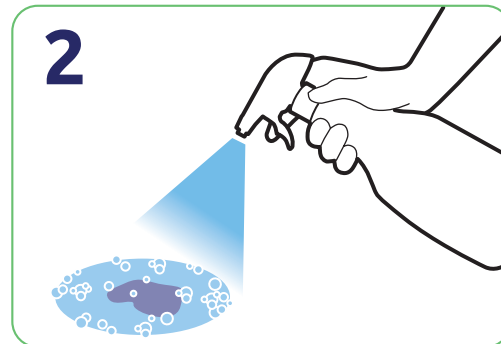
Don't forget
PPE



Stain Spotting (for Carpets & Soft Fabrics)

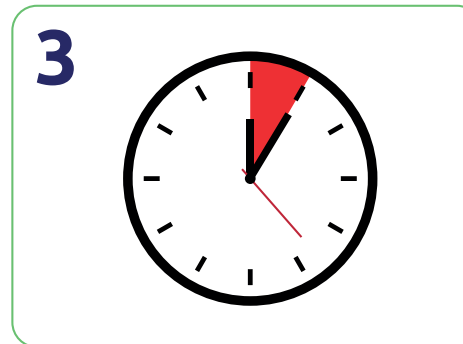


1 Dab stain with a clean, dry cloth to remove as much as possible.



2 Liberally spray on stain.

Note: Always test on an inconspicuous area of carpet or soft fabric first to ensure safe to use

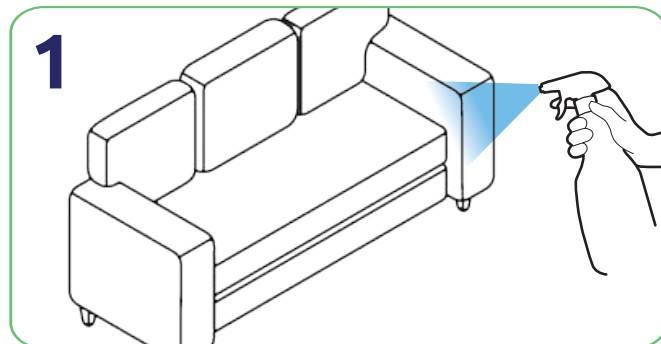


3 Allow contact time. The deeper or older the stain the longer time needed.

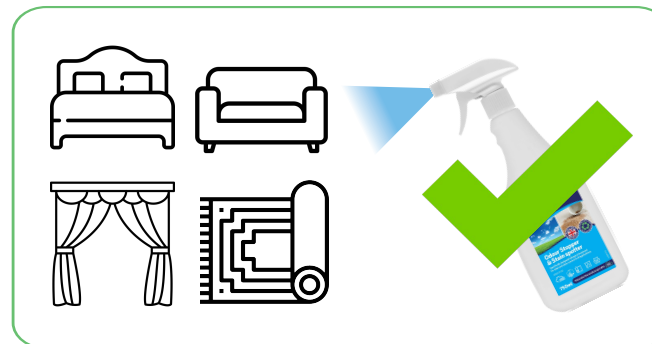


4 Dab, don't rub, with a clean dry cloth. Older stains may require 2nd application.

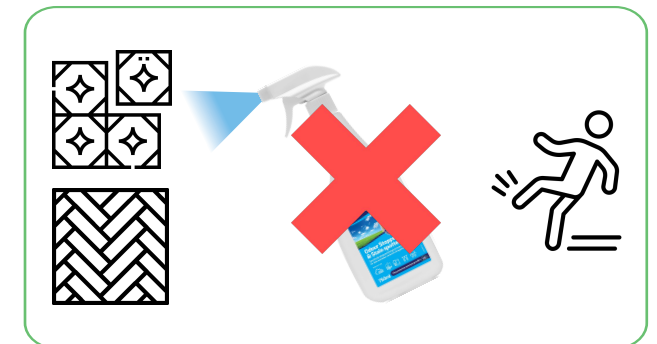
Odour Control



1 Spray over soft furnishings as a mist to deliver a pleasant perfume and a long-lasting odour neutralising effect.



Spray only over soft fabrics such as carpets, curtains, bedspreads and sofas.



Don't spray over hard floors as residue may cause a slip hazard. In case of residue on hard floor, rinse floor with clean water and dry.